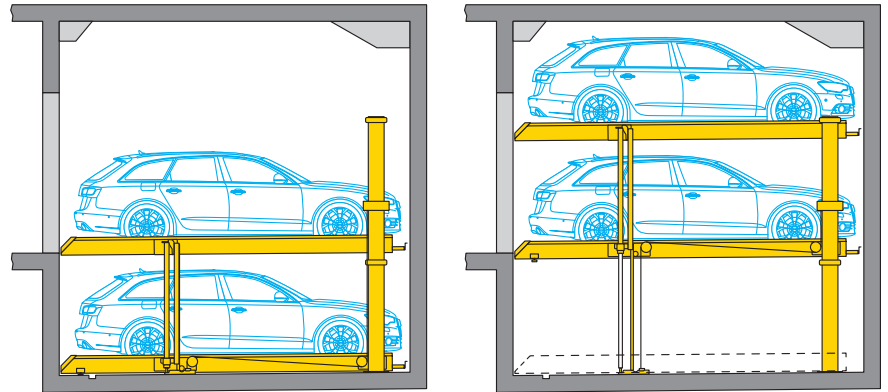


# Data Sheet

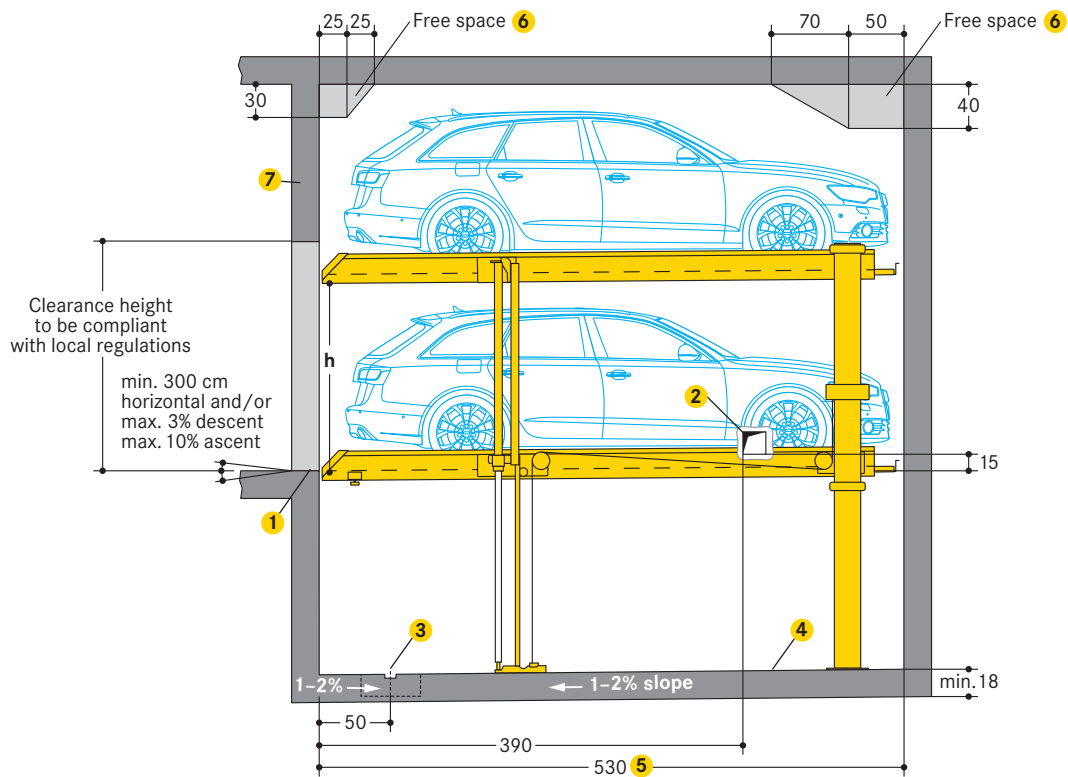
## WÖHR PARKLIFT 450



- **Single units: 2 cars**  
**Double units: 4 cars**
- **Platform load options:**
  - max. 2000 kg, load per wheel 500 kg
  - max. 2600 kg, load per wheel 650 kg
- **Platform slopes for drive-on:**
  - upper level: 0,5° = 1% ascent
  - lower level: 0,5° = 1% ascent
 Platform slopes help drainage



### ■ Length dimensions underground car park (height dimensions see page 2)

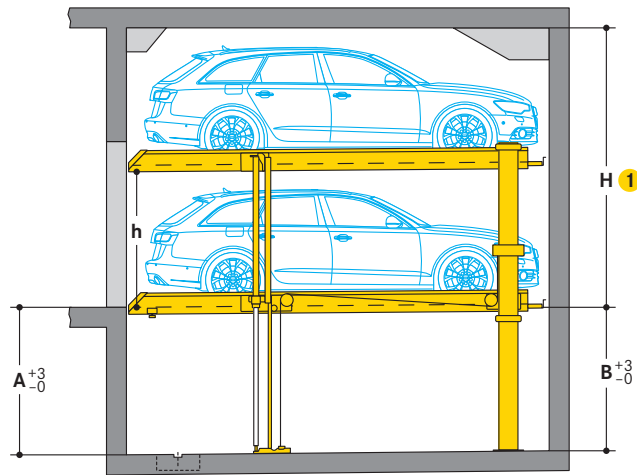


- 1 Yellow-black safety marking (performed by the customer):
  - compliant to ISO 3864, 10 cm wide, along the pit edges (see page 5 »Static calculations and construction works requirements«)
- 2 In case of intermediate walls (performed by the customer):
  - 15 x 15 cm opening for electric and hydraulic system cables and piping
  - after installation, do not close the opening
- 3 Drainage channels (performed by the customer):
  - 10 x 2 cm, with a 50 x 50 x 20 cm drainage pit
  - in case of installation of a sump pump, it is necessary to comply with the drainage pit dimensions specified by the pump manufacturer
  - above-ground garages: if there is a slope on the entrance side, a drainage channel in front of the pit edge is recommended
- 4 Channels or undercuts/concrete haunches (performed by the customer):
  - not allowed along the pit floor-to-wall joints
  - should channels or undercuts be necessary, the system width needs to be reduced or the pit needs to be wider
- 5 500 cm vehicle length = 530 cm pit length
  - for longer vehicles: vehicle length + 30 cm safety distance = pit length (pit length max. 550 cm)
- 6 Free spaces:
  - please ask WÖHR for the dimension sheets
- 7 Lintel

### ■ Dimensions

- all dimensions specified are the minimum, finished dimensions
- tolerances must be taken into consideration
- all dimensions are given in cm

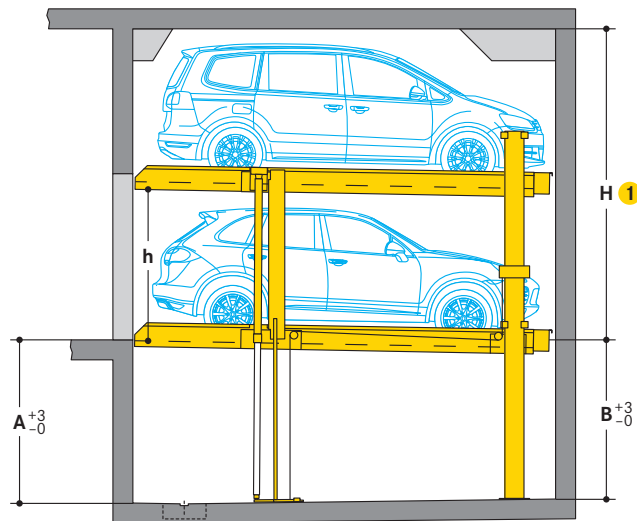
**Height dimensions Standard type**



- 1 With an increase in headroom available, correspondingly taller cars will be able to park on the upper platform.
- 2 UL= upper level / LL = lower level  
L = Limousine / S = Station wagon

Type	Height (H) 1	Pit depth		Vehicle height 2		Platform distance (h)
		A	B	UL	LL	
450-170	320	170	165	L+S 150	L+S 150	155
450-175	325	175	170	L+S 150	L+S 155	160
	330	175	170	L+S 155	L+S 155	160
450-180	330	180	175	L+S 150	L+S 160	165
	340	180	175	L+S 160	L+S 160	165
450-185	335	185	180	L+S 150	L+S 165	170
	350	185	180	L+S 165	L+S 165	170
450-190	340	190	185	L+S 150	L+S 170	175
	360	190	185	L+S 170	L+S 170	175
450-195	345	195	190	L+S 150	L+S 175	180
	370	195	190	L+S 175	L+S 175	180
450-200	350	200	195	L+S 150	L+S 180	185
	380	200	195	L+S 180	L+S 180	185

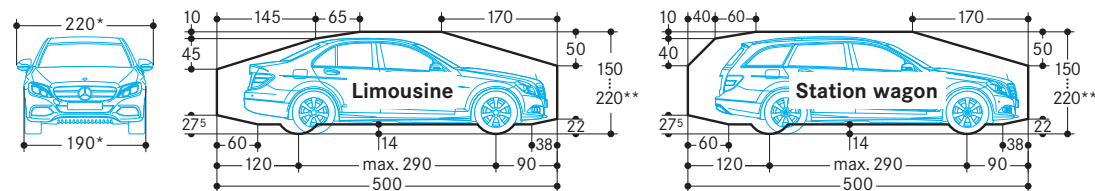
**Height dimensions Premium type**



- 1 With an increase in headroom available, correspondingly taller cars will be able to park on the upper platform.
- 2 UL= upper level / LL = lower level  
L = Limousine / S = Station wagon

Type	Height (H) 1	Pit depth		Vehicle height 2		Platform distance (h)
		A	B	UL	LL	
450-205	355	205	200	L+S 150	L+S 185	190
	390	205	200	L+S 185	L+S 185	190
450-210	360	210	205	L+S 150	L+S 190	195
	400	210	205	L+S 190	L+S 190	195
450-215	365	215	210	L+S 150	L+S 195	200
	410	215	210	L+S 195	L+S 195	200
450-220	370	220	215	L+S 150	L+S 200	205
	420	220	215	L+S 200	L+S 200	205
450-225	375	225	220	L+S 150	L+S 205	210
	430	225	220	L+S 205	L+S 205	210
450-230	380	230	225	L+S 150	L+S 210	215
	440	230	225	L+S 210	L+S 210	215
450-235	385	235	230	L+S 150	L+S 215	220
	450	235	230	L+S 215	L+S 215	220
450-240	390	240	235	L+S 150	L+S 220	225
	460	240	235	L+S 220	L+S 220	225

**Clearance profile (for standard vehicles)**



\* for a 250 cm platform width  
 \*\* The overall vehicle height including roof luggage rails an antenna mounts must not exceed the max. vehicle height dimensions specified

**Width dimensions**

Platform widths:

- 250 cm (single units), 500 cm (double units):
  - for 190 cm vehicle width (without outside mirror)
- 260-300 cm (single units), 520-540 cm (double units):
  - for vehicles wider than 190 cm (without outside mirror)
  - for units with intermediate walls
  - for units at the end of the driving aisle

For comfortable parking, entry and exit conditions platform widths upon 270 cm are recommended.

Reduced platform width means reduced parking comfort depending on the vehicle width, vehicle type, individual driving style, access situation of the garage.

**Width dimensions (underground car park)**

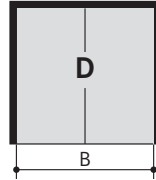
**Intermediate walls**

Single unit (2 cars)



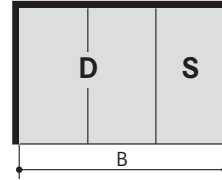
Space requirements B	Clear platform width
260	230
270	240
280	250
290	260
<b>300</b>	<b>270</b>
<b>310</b>	<b>280 1</b>
<b>320</b>	<b>290 1</b>
<b>330</b>	<b>300 1</b>

Double unit (4 cars)



Space requirements B	Clear platform width
490	460
510	480
530	500
550	520
<b>570</b>	<b>540</b>

Combined unit (6 cars)



Space requirements B	Clear platform width
750	460+230
780	480+240
810	500+250
840	520+260
<b>870</b>	<b>540+270</b>
<b>880</b>	<b>540+280</b>
<b>890</b>	<b>540+290</b>
<b>900</b>	<b>540+300</b>

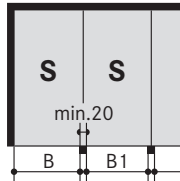
The driving aisle width must comply with local regulations

It is possible to combine different widths

**1** Only with platform load 2600 kg

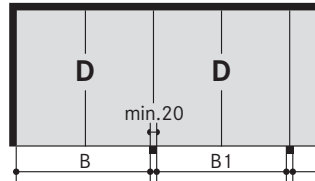
**Columns external to the pit**

Single unit (2 cars)



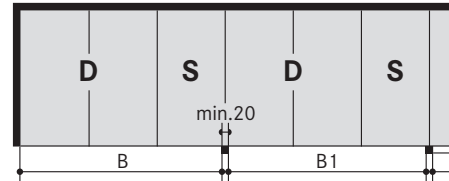
Space requirements wall-column B	Space requirements column-column B1	Clear platform width
250	240	230
260	250	240
270	260	250
280	270	260
<b>290</b>	<b>280</b>	<b>270</b>
<b>300</b>	<b>290</b>	<b>280 1</b>
<b>310</b>	<b>300</b>	<b>290 1</b>
<b>320</b>	<b>310</b>	<b>300 1</b>

Double unit (4 cars)



Space requirements wall-column B	Space requirements column-column B1	Clear platform width
480	470	460
500	490	480
520	510	500
540	530	520
<b>560</b>	<b>550</b>	<b>540</b>

Combined unit (6 cars)



Space requirements wall-column B	Space requirements column-column B1	Clear platform width
740	730	460+230
770	760	480+240
800	790	500+250
830	820	520+260
<b>860</b>	<b>850</b>	<b>540+270</b>
<b>870</b>	<b>860</b>	<b>540+280</b>
<b>880</b>	<b>870</b>	<b>540+290</b>
<b>890</b>	<b>880</b>	<b>540+300</b>

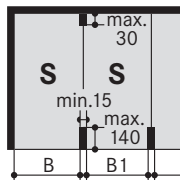
The driving aisle width must comply with local regulations

It is possible to combine different widths

**1** Only with platform load 2600 kg

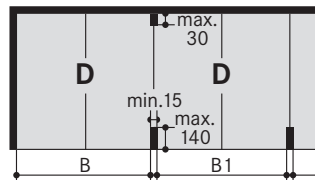
**Columns in the pit**

Single unit (2 cars)



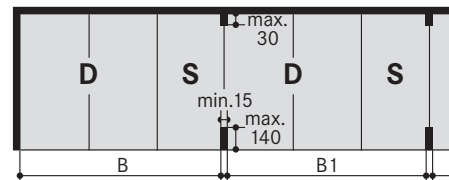
Space requirements wall-column B	Space requirements column-column B1	Clear platform width
255	245	230
265	255	240
275	265	250
285	275	260
<b>295</b>	<b>285</b>	<b>270</b>
<b>305</b>	<b>295</b>	<b>280 1</b>
<b>315</b>	<b>305</b>	<b>290 1</b>
<b>325</b>	<b>315</b>	<b>300 1</b>

Double unit (4 cars)



Space requirements wall-column B	Space requirements column-column B1	Clear platform width
485	475	460
505	495	480
525	515	500
545	535	520
<b>565</b>	<b>555</b>	<b>540</b>

Combined unit (6 cars)



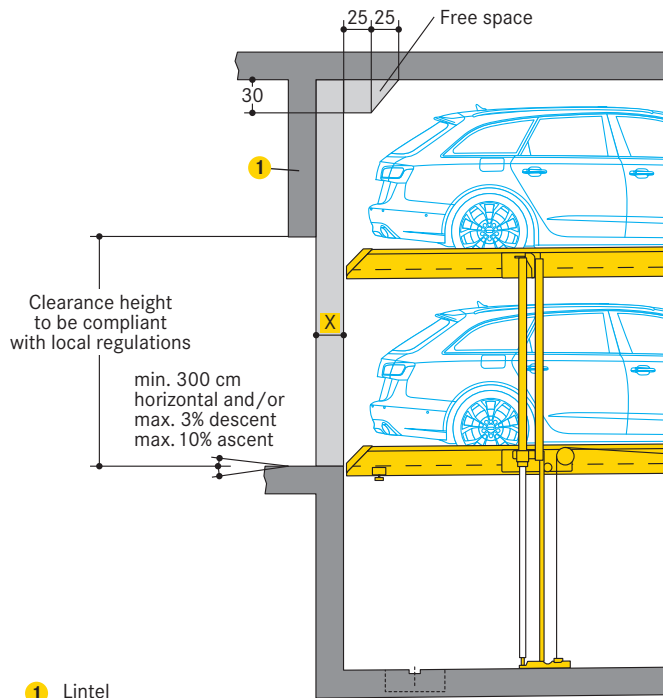
Space requirements wall-column B	Space requirements column-column B1	Clear platform width
745	735	460+230
775	765	480+240
805	795	500+250
835	825	520+260
<b>865</b>	<b>855</b>	<b>540+270</b>
<b>875</b>	<b>865</b>	<b>540+280</b>
<b>885</b>	<b>875</b>	<b>540+290</b>
<b>895</b>	<b>885</b>	<b>540+300</b>

The driving aisle width must comply with local regulations

It is possible to combine different widths

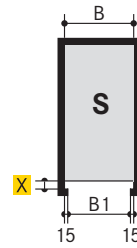
**1** Only with platform load 2600 kg

**Garages with doors**

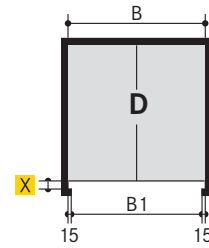


- 1** Lintel
- X** = 10/15 cm for roller shutters  
Dimension X to be defined by customer with the door supplier.

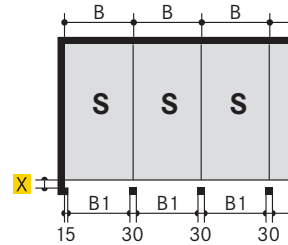
Single unit (2 cars)



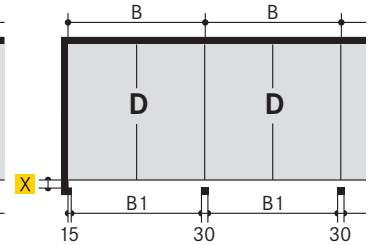
Double unit (4 cars)



Garage rows with single doors (2 cars each)



Garage rows with double doors (4 cars each)

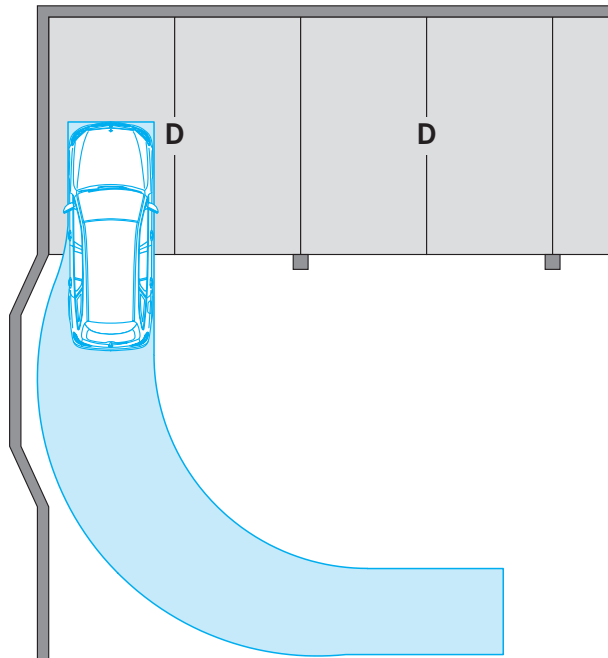


Space requirements B	B1 <sup>2</sup>	Clear platform width
260	230	230
270	240	240
280	250	250
290	260	260
<b>300</b>	<b>270</b>	<b>270</b>
<b>310</b>	<b>280</b>	<b>280</b> <sup>3</sup>
<b>320</b>	<b>290</b>	<b>290</b> <sup>3</sup>
<b>330</b>	<b>300</b>	<b>300</b> <sup>3</sup>

Space requirements B	B1 <sup>2</sup>	Clear platform width
490	460	460
510	480	480
530	500	500
550	520	520
<b>570</b>	<b>540</b>	<b>540</b>

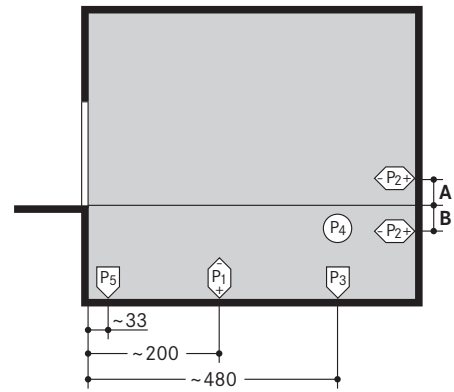
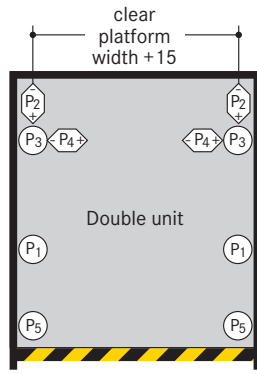
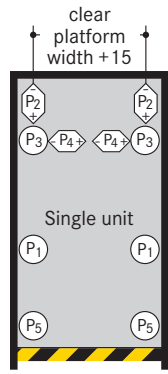
- 2** B1 = drive-in passage width
- 3** Only with platform load 2600 kg

**Wall recess**



According to GaVo for Baden-Württemberg (07.07.1997/26.01.2011):  
For parking places with a 90° arrangement at the end of the driving aisle, the entrance width must be min. 275 cm.  
At the end of the driving aisle, we recommend to provide a wall recess, if technically possible.

**Static calculations and construction works requirement**



Safety marking compliant to ISO 3864

P1	+ 41 kN* - 14 kN
P2	± 3 kN
P3	+ 18 kN
P4	± 1,5 kN
P5	+ 1,5 kN

\*specified load bearing data includes the vehicle weight (2600 kg)

P1	+ 71 kN* - 23 kN
P2	± 3 kN
P3	+ 26 kN
P4	± 1,5 kN
P5	+ 2,5 kN

Standard type	A	B
Parklift 450-170	-	0
Parklift 450-175	-	5
Parklift 450-180	-	10
Parklift 450-185	-	15
Parklift 450-190	-	20
Parklift 450-195	-	25
Parklift 450-200	-	30

Premium type	A	B
Parklift 450-205	20	-
Parklift 450-210	15	-
Parklift 450-215	10	-
Parklift 450-220	5	-
Parklift 450-225	-	0
Parklift 450-230	-	5
Parklift 450-235	-	10
Parklift 450-240	-	15

Fixing of the system frames to the floor slab:

- using base plates (approx. 140 cm<sup>2</sup>)
- using adhesive anchor bolts
- hole depth to 12-14 cm
- concrete thickness of at least 18 cm

Concrete quality grade:

- compliant to the static requirements of the construction
- min. C20/25 grade (for dowel fastening)

Walls:

- front drive-in wall, rear and side walls in concrete
- perfectly flat wall surfaces
- without protruding sections such as border edgings, pipes and tubes, etc.
- concrete thickness of at least 18 cm

Frame bearing points:

- the specified lengths are expressed as mean value
- for the exact data, specific TÜV-tested data sheets are available

**Extra space for hydraulic power packs**

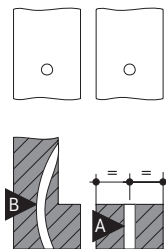
Dimensions in cm	1-5 Parklifts	6-10 Parklifts
Length:	100	150
Height:	140	140
Depth:	35	35

Hydraulic power pack placement options:

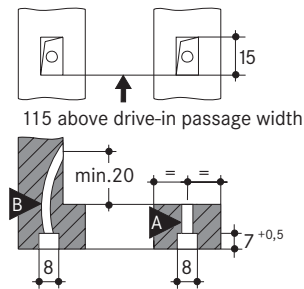
- located either on the top platform so that it moves with unit or on the wall
- where this is not possible, it is necessary to arrange for an extra space above drive-in level (i.e. for a wall recess or a niche)

**Operating panel recesses and empty piping requirements**

Flush mounted



Recess mounted

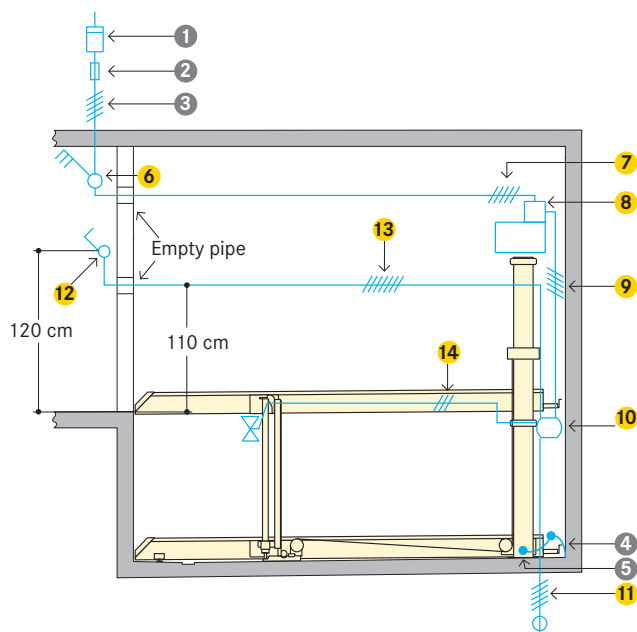


**A** M20 plastic or steel-armoured piping

**B** M20 flexible, plastic-insulated piping

**Electrical specifications**

**Installation diagram**



Cabling preparation to be performed by the customer:

- up to the main switch to be in place prior to starting the installation operations
- connection to the main switch during installation
- system functional check testing can be performed by WÖHR together with the electrician provided by the customer
- if requested at a later date, functional check testing can be performed by WÖHR at extra-cost

Grounding and potential equalisation (to be performed by the customer):

- compliant to DIN EN 60204
- connections required every 10 metres

**To be performed by the customer**

Item	Quantity	Description	Position	Recurrence
1	1 piece	power meter	in the feed cable	
2	1 piece	fuse protection or automatic circuit breaker compliant to DIN VDE 0100 part 430: - 3 x 16 A slow blow for 3.0 kW power pack (starting current 24 A) only single units - 3 x 25 A slow blow for 5.5 kW power pack (starting current 57 A)	in the feed cable	1 x per power pack
3	based on site conditions	compliant to local power supply regulations 3 phases + N + PE* 230/400 V, 50 Hz	feed cables to main switch	1 x per power pack
4	every 10 m	grounding and potential equalisation lead-out connection	along pit floor edges/rear wall	
5	1 piece	grounding and potential equalisation compliant to DIN EN 60204	from lead-out connection to system	1 x per system

\* to DIN VDE 0100 sections 410 and 430 (no permanent load) 3 phases + N+ PE (three phase current)

Note: for garages with doors the door manufacturer must be consulted before the electrical feed cabling is laid.

**Scope of delivery by WÖHR (unless otherwise specified)**

Item	Description
6	Lockable main switch
7	5 x 2.5 mm <sup>2</sup> PVC control cable leading from the main switch to the 3.0 kW power pack 5 x 4.0 mm <sup>2</sup> PVC control cable leading from the main switch to the 5.5 kW power pack
8	Hydraulic power pack with three-phase motor 3.0 kW or 5.5 kW. Ready-wired switching cabinet with motor safety contactor
9	5 x 1.5 mm <sup>2</sup> PVC control cable
10	Branch connector
11	5 x 1.5 mm <sup>2</sup> PVC control cable lead-out to the system alongside
12	UP/down operating unit with EMERGENCY STOP. Possibly located on the left, but always out of the platform's range of movement. Cable feed-in strictly from below leading upwards (2 keys for each parking space).
13	7 x 1.5 mm <sup>2</sup> PVC control cable
14	3 x 1.5 mm <sup>2</sup> control cable for the cylinder valve lead

## Notes and directions

### Scope of application

- suitable for residential buildings, office buildings and business premises, hotels
- only for long-term users that have been instructed on how to use the system
- for frequently changing users (e.g. for office, hotel and business premises or similar):
  - only parking on top platform
  - performance of technical system adjustments is necessary
  - consultation with WÖHR is mandatory

### Noise protection

Basis is the German DIN 4109 "Noise protection in buildings". With the following conditions required 30 dB (A) in rooms can be provided:

- noise protection package from our accessory
- insulation figure of the construction of min.  $R'_W = 57$  dB
- walls which are bordering the parking systems must be done as single wall and deflection resistant with min.  $m' = 300$  kg/m<sup>2</sup>
- solid ceiling above the parking systems with min.  $m' = 400$  kg/m<sup>2</sup>

At differing constructional conditions additional sound absorbing measures are to be provided by the customer.

The best results are reached by separated sole plates from the construction.

#### Increased sound insulation (separate agreement):

It is based on VDI 4100 „Sound insulation in building construction“ Assessment and proposals for increased sound insulation.

Under the following conditions, 25 dB (A) can be complied with in living spaces and bedrooms:

- sound insulation package according to offer/order
- Sound insulation value of the building structure of min.  $R'_W = 62$  dB (to be performed by the customer)

Note:

User noises are not subject to the requirements (see VDI 4100, Scope - Notes). User noises are basically noises that can be individually influenced by the user of the parking systems (e.g. driving on the platform, closing of vehicle doors, engine and brake noises).

### Drainage

Water leaks into the pit:

- in the winter, up to 40 litres of snow water can possibly come with the wheel housings in just one parking process

Drainage channels:

- along the front end sections of the pit
- connecting to a floor drain or drainage pit (50 x 50 x 20 cm)
- with manual emptying out of the drainage pit
- alternatively installation of a pump or drainage channel into the sewerage system, to be performed by the customer

Sideways slope drainage:

- only into a gutter
- not possible in the remaining pit section

Lengthways slope drainage:

- provided according to specified construction dimensions

Environmental safety:

- coating of the pit flooring is recommended
- installation of an oil and/or petrol separator unit between the drainage connection and the main sewerage system is recommended

### Temperature

- system operating range: -10° bis +40°C (with unloaded platforms lowering speed is reduced if less than +5° C)
- humidity: 50 % at +40° C
- in the event of changes to system conditions please consult with WÖHR

### Conformity examination (TÜV)



- voluntary conformity assessment by the TÜV SÜD
- The parking systems are compliant to:
  - EC Machinery Directive 2006/42/EC
  - DIN EN 14010

### Lighting

- sufficient lighting of the driving aisle and of the parking places must be performed by the customer

### Fire safety

- all fire safety requirements and all mandatory equipment (fire extinguisher and fire alarm systems, etc.) must be performed by the customer

### Railings

The units need to be provided acc. EN ISO 13857 with safety railings if the gap between unit and wall exceeds 20cm. If walkways are arranged directly to the side or behind the systems, railings have to be provided by client acc. to local requirements, height min. 200 cm - this is applicable during the construction phase too.

### Maintenance

- WÖHR and all the WÖHR partners abroad provide an installation and customer service network
- regular, annual maintenance is provided subject to the stipulation of a maintenance agreement

### Prevention of corrosion damage



- all operations listed in the WÖHR Cleaning and Maintenance Instructions are to be performed regularly (independently of maintenance operations)
- zinc-plated parts, components and platforms are to be kept clean of dirt, road-salt and any other debris (due to corrosion hazards)
- always keep the garage well ventilated and deaerated

### Surface protection



- please consider the information on surface protection!

### Tender specification



- please consider the specifications!

### Parking Place-Profile



- please consider the product information Parking Place-Profile!

### Electromobility



- please consider the product information E-charging!
- depending on the position of the charging point on the electric vehicle, collision points with protruding plugs and charging cables can occur

### Construction formalities

- the documentation necessary for construction permit applications is provided by WÖHR on demand

### Construction alterations and/or modifications

- the right to construction or model modifications and/or variations is hereby reserved
- the right to any subsequent part modification and/or variation and amendments in procedures and standards due to technical and engineering progresses or due to environmental regulation changes is also hereby reserved